

规格 JFH-BLX-A型

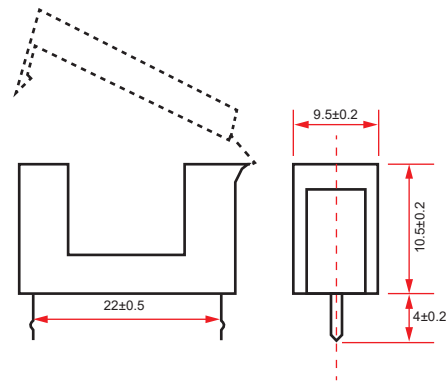
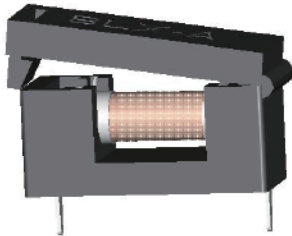
文件号 A-2023-JFH-BLX-A

版本1

### Description

JFH-BLX-A is 5\*20 Fuse holder, 6A Voltage 250vac Suitable for circuit protection, For assembling a circuit board.

### Shape and Size (mm)



Structure	Material	Quantity	Marked
Shell	PA66	1	UL 94 V0
Pin	H62 silver plating	2	-

### Electrical Performance

Model	For Fuse	Rated Ampere	Rated Voltage	Operating Power	Insulation Resistance	Di-electronic Strength
JFH-BLX-A	5*20mm	6A	250V	1.5W	> 100mΩ	> 300Vac/60'

### Package and Assembly

Model	Qty	Assembly
JFH-BLX-A	500Pcs/Bag	Reflow welding