

规格 J64600001233

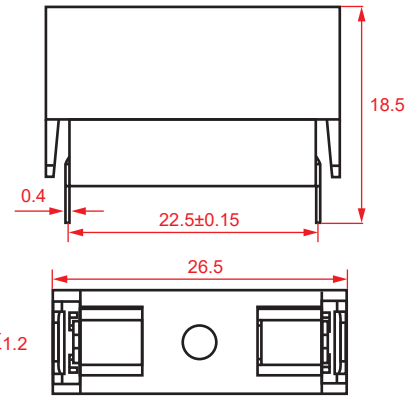
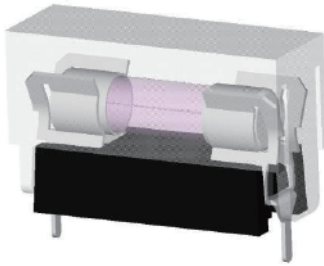
文件号 A-2023-J64600001233

版本1

Description

J64600001233 is 5*20 Fuse holder , 15A Rate Current, 250vac Maximum Voltage , Suitable for PCB circuit protection of home appliances and industrial electronics.

Shape and Size (mm)



Structure	Material	Marked
Shell	PC	UL 94 V0
Pin	H62 nickel plating	-
Base	PA66	-

Electrical Performance

Model	For Fuse	Rated Ampere	Rated Voltage	Operating Power	Di-electronic Strength
J64600001233	5*20mm	15A	250V	1.6W	600 V

Package and Assembly

Model	Qty	Assembly
J64600001233	1000Pcs/Bag	Hand welding (1~5s,380°c~400°c) Wave soldering welding (20s,260°c)

Readability Testing

Solderability Test:

The surface of the part to be welded should be covered by at least 95% of the new welding coating.

Salt Spray Test:

Put the product into 5% concentration salt solution at room temperature 35 degrees for 8 hours, no appearance damage.